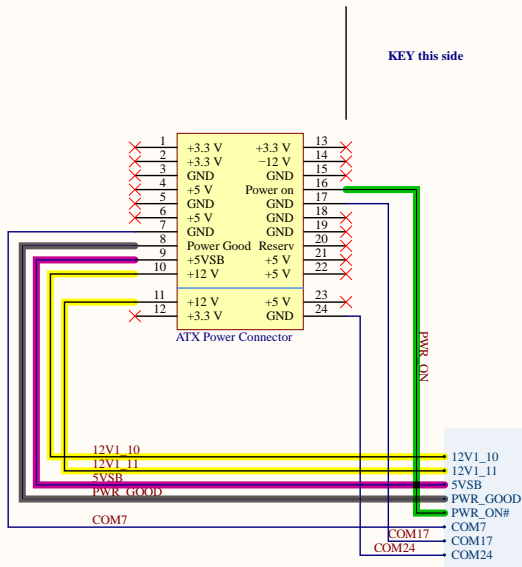


ATX Power Cable Adaptor for TEN64 Family Boards

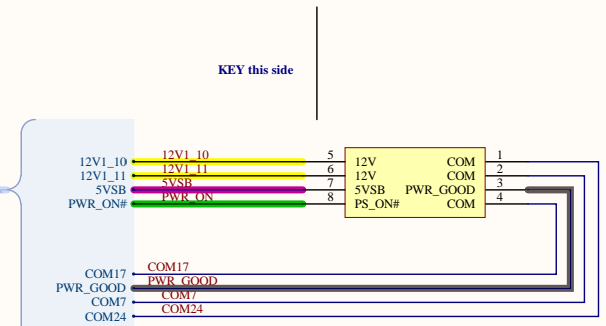
Net	ATX Pin	TEN64 Pin	Wire Color
12V1_10	10	5	Yellow
12V1_11	11	6	Yellow
5VSB	9	7	Purple
PWR_ON	16	8	Green
PWR_GOOD	8	3	Gray
COM7	7	1	Black
COM17	17	2	Black
COM24	24	4	Black

* COM pins are interchangeable, may be swapped on connector(s)



ATX 24 Pin Male Plug

Molex Part #39-01-2246 or Compatible
 Contacts: Mini-Fit Jr 5558 series, e.g Molex 003000120



8-Pin 3.0mm Female Plug

Würth Elektronik #662 008 113 322
 With #662 003 137 22 contacts